

**HEADSTOCK ASSMBLY (spindle bore :150mm/ 6")**

ITEM NO.	Part Name	Amt. Used	Model: 33" Part No.	Model: 37" Part No.	Model: 41" Part No.
1	Head stock	1	5001001-033	5001001-037	5001001-041
2	Head stock cover	1	5001002	5001002	5001002
3	Hexagon socket screw, M10xP1.25x35L	4	91111035	91111035	91111035
4	Oil plug	1	5001004	5001004	5001004
5	Blanket	1	5001005	5001005	5001005
6	Hexagon socket screw, M6xP1.0x12L	18	91110612	91110612	91110612
7	Cover	1	5001007	5001007	5001007
8	Ball bearing , 6206	4	91301021	91301021	91301021
9	Cam	1	5001009	5001009	5001009
10	Cam	1	5001011	5001011	5001011
11	Set screw, M10xP1.25x30L	8	91121030	91121030	91121030
12	Cam shaft	1	5001008	5001008	5001008
13	Worm gear 12T	1	5001013	5001013	5001013
14	Square key ,6x6x25L	1	91610625	91610625	91610625
15	Hexagon socket screw, M10xP1.25x25L	6	91111025	91111025	91111025
16	Worm bearing adjuster	1	5001016	5001016	5001016
17	Set screw, M8xP1.25x6L	2	91120806	91120806	91120806
18	Hob	1	5001018	5001018	5001018
19	Locating ring	1	5001019	5001019	5001019
20	O-RING P16	1	9151P016	9151P016	9151P016
21	Set screw, M8xP1.25x12L	2	91120812	91120812	91120812
22	Worm gear gear 20T	1	5001022	5001022	5001022
23	Set screw, M8xP1.25x6L	3	91120806	91120806	91120806
24	Radius arm axis	1	5001024	5001024	5001024
25	O-RING P29	1	9151P029	9151P029	9151P029
26	Bushing	2	5001026	5001026	5001026
27	Pin	2	5001027	5001027	5001027
28	Radius arm	2	5001028	5001028	5001028
29	Hexagon socket screw, M12x25L	1	91111225	91111225	91111225
30	Spring-washer M12	1			
31	Square key ,10x10x55L	1	91611055	91611055	91611055
32	Pulley wheel	1	5001032	5001032	5001032
33	Seal-oil, TC 34x52x11	1	91523452	91523452	91523452
34	Cover	1	5001034	5001034	5001034
35	Ball bearing , 6307	3	61306307	61306307	61306307
36	Shaft-B	1	5001036	5001036	5001036
37	Gear 59T	1	5001037	5001037	5001037
38	Square key ,10x10x30L	3	91611030	91611030	91611030
39	Snap ring, S55	3	9171S055	9171S055	9171S055
40	Gear 41T	1	5001040	5001040	5001040
41	Gear 32T	1	5001041	5001041	5001041

**HEADSTOCK ASSMBLY (spindle bore :150mm/ 6")**

ITEM NO.	Part Name	Amt. Used	Model: 33" Part No.	Model: 37" Part No.	Model: 41" Part No.
42	Gear 51T	1	5001042	5001042	5001042
43	Square key ,10x10x25L	2	91611025	91611025	91611025
44	Ball bearing , 6207	4	91306207	91306207	91306207
45	Gear 58T	1	5001045	5001045	5001045
46	Gear sahft 23T	1	5001046	5001046	5001046
47	Ball bearing , 6208	1	91306208	91306208	91306208
48	Plug A&B	2	5001048	5001048	5001048
49	O-RING P70	2	9151P070	9151P070	9151P070
50	Cover	1	5001050	5001050	5001050
51	Gear 43T	1	5001051	5001051	5001051
52	Gear 61T	1	5001052	5001052	5001052
53	Square key ,10x10x90L	2	91611090	91611090	91611090
54	Gear sahft 27T	1	5001054	5001054	5001054
55	Gear 70T	1	5001055	5001055	5001055
56	Gear 51T	1	5001056	5001056	5001056
57	Ball bearing , 6209	1	91306209	91306209	91306209
58	Ball bearing , NJ205	1	9131J205	9131J205	9131J205
59	Gear 27T/62T	1	5001059	5001059	5001059
60	Gear 22T	1	5001060	5001060	5001060
61	Shaft	1	5001061	5001061	5001061
62	Hexagon socket screw, M6xP1.0x25L	8	91110625	91110625	91110625
63	Cover	1	5001063	5001063	5001063
64	Seal-oil, TC 180x210x15	1	91521802	91521802	91521802
65	Ball bearing , 6836	1	91306836	91306836	91306836
66	Spindle (A2-11)	1	5001066	5001066	5001066
67	Lock-nut	1	5001067	5001067	5001067
68	Set screw, M12xP1.25x20L	6	91121220	91121220	91121220
69	Taper roller bearing , 32938	1	91332938	91332938	91332938
70	Lock-nut	1	5001070	5001070	5001070
71	Gear	1	5001071	5001071	5001071
72	Square key ,15x15x80L	1	91611580	91611580	91611580
73	Gear	1	5001074	5001074	5001074
74	Square key ,12x12x40L	1	91611240	91611240	91611240
75	Snap ring, S220	1	9171S220	9171S220	9171S220
76	Taper roller bearing , 32940	1	91332940	91332940	91332940
77	Cover	1	5001077	5001077	5001077
78	Hexagon socket screw, M6xP1.0x35L	10	91110635	91110635	91110635
79	Hexagon socket screw, M20xP2.5x55L	11	91112055	91112055	91112055
80	Cover	1	5001080	5001080	5001080
81	Shaft	1	5001081	5001081	5001081
82	Gear	1	5001082	5001082	5001082
83	Square key ,10x10x45L	1	91611045	91611045	91611045
84	Snap ring, S38	2	9171S038	9171S038	9171S038
85	Gear 42T	1	5001085	5001085	5001085
86	Lap	5	5001086	5001086	5001086

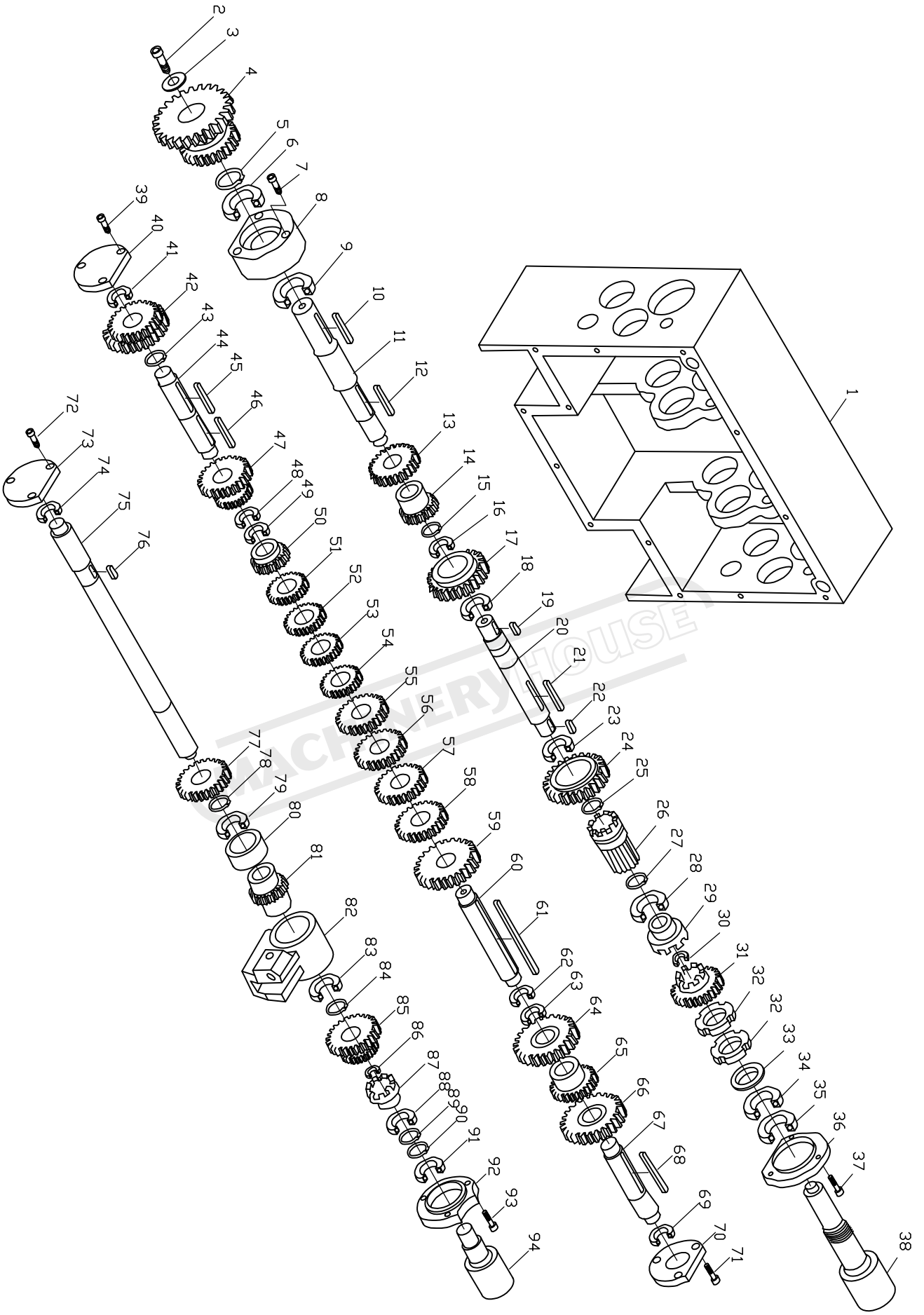
**HEADSTOCK ASSMBLY (spindle bore :150mm/ 6")**

ITEM NO.	Part Name	Amt. Used	Model: 33" Part No.	Model: 37" Part No.	Model: 41" Part No.
87	Dials the fingernail	2	5001087	5001087	5001087
88	Speed change slide	1	5001088	5001088	5001088
89	Localization axis	1	5001089	5001089	5001089
90	Guide rod	1	5001090	5001090	5001090
91	Change speed gear 36T	1	5001091	5001091	5001091
92	O-RING P21	3	9151P021	9151P021	9151P021
93	Hexagon socket screw, M6xP1.0x20L	3	91110620	91110620	91110620
94	Files piece	1	5001094	5001094	5001094
95	Change speed gear	1	5001095	5001095	5001095
96	Square key ,5x5x15L	2	91610501	91610501	91610501
97	Shaft	1	5001097	5001097	5001097
98	O-RING P18	1	9151P018	9151P018	9151P018
99	Screw , M6xP1.0x14L	4			
100	Detent plate	1	5001100	5001100	5001100
101	Ball steel , φ5/16"	3	91820516	91820516	91820516
102	Spring, D8xd0.8x25L	3			
103	Hub	1	5001103	5001103	5001103
104	Hub	1	5001104	5001104	5001104
105	Lever	2	3001114	3001114	3001114
106	Knob	2	3001115	3001115	3001115
107	Washer	2			
108	O-RING P29	1	9151P029	9151P029	9151P029
109	Shaft -G	1	5001109	5001109	5001109
110	Ball bearing , 6006	1	91301013	91301013	91301013
111	Gear	1	5001111	5001111	5001111
112	Snap ring, R48	1	9171R048	9171R048	9171R048
113	Ball bearing , 6005	1	91306005	91306005	91306005
114	Retainer G	1	5001114	5001114	5001114
115	key ,6x6x25L	1	91620625	91620625	91620625
116	Output shaft	1	5001116	5001116	5001116
117	Seal-oil, TC 30x50x8	1	91523050	91523050	91523050
118	Ball bearing , 6906	1	91306906	91306906	91306906
119	Lever	1	5001119	5001119	5001119
120	Retainer F	1	4001010	4001010	4001010
121	Snap ring, S38	1	9171S038	9171S038	9171S038
122	Gear	1	5001122	5001122	5001122
123	Dials the block	2	5001123	5001123	5001123
124	Snap ring, S10	1	9171S010	9171S010	9171S010
125	Rocking shaft	1	3501117	3501117	3501117
126	Work driving arm F	1	5001126	5001126	5001126
127	Detent plate F	1	5001127	5001127	5001127
128	Gear 60T/80T	1	5001128	5001128	5001128
129	Left fixed stand	1	5001129	5001129	5001129
130	Hexagon socket screw, M10xP1.5x15L	3	91111015	91111015	91111015
131	First change speed gear A 40T	1	5001131	5001131	5001131
132	Square key ,6x6x12L	2	91610601	91610601	91610601
133	First change speed gear B 60T	1	5001133	5001133	5001133

**HEADSTOCK ASSMBLY (spindle bore :150mm/ 6")**

<b>ITEM NO.</b>	<b>Part Name</b>	<b>Amt. Used</b>	<b>Model: 33" Part No.</b>	<b>Model: 37" Part No.</b>	<b>Model: 41" Part No.</b>
134	Speed change fixed stand	1	5001134	5001134	5001134
135	Speed change kneading board	1	5001135	5001135	5001135
136	Speed change hand	1	5001136	5001136	5001136
137	Lever	2	3003017	3003017	3003017
138	Knob	2	3003018	3003018	3003018
139	Sets at the frame	1	5001139	5001139	5001139
140	Hexagon socket screw, M5xP0.8x15L	2	91110515	91110515	91110515
141	Hexagon socket screw, M5xP0.8x25L	2	91110525	91110525	91110525
142	Base support	1	5001141	5001141	5001141
143	Locates the base	1	5001140	5001140	5001140
144	Ball steel	1			
145	Spring	1			
146	Lenz-oil , $\phi$ 29	1	92552001	92552001	92552001

**MACHINERYHOUSE**



9-2-1 Gear Box

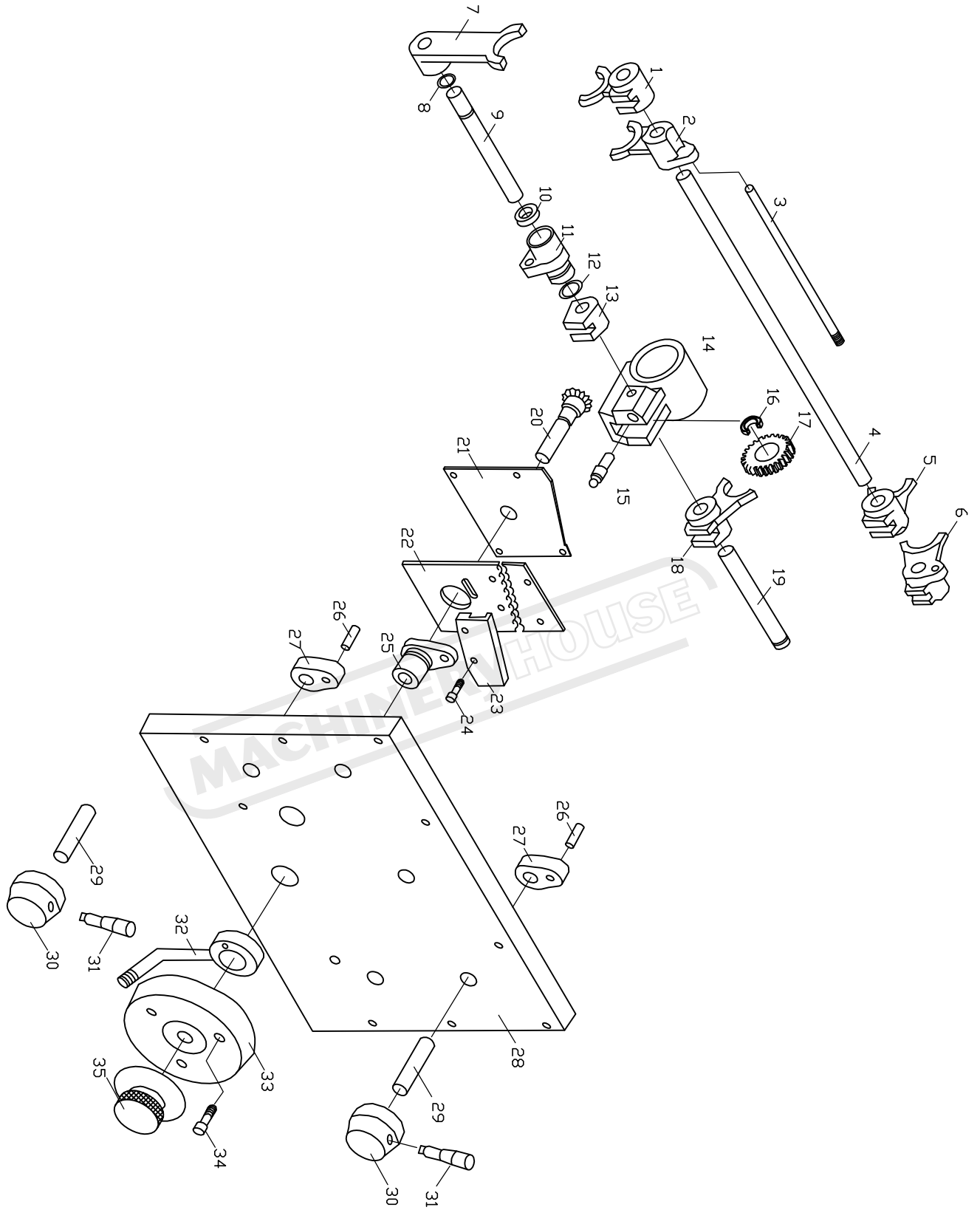
**GEAR BOX ASSEMBLY**

ITEM NO.	Part Name	Amt. Used	Model: 33" Part No.	Model: 37" Part No.	Model: 41" Part No.
1	GEAR BOX	1	5002001	5002001	5002001
2	BOLT M8X25L	1	91110825	91110825	91110825
3	WASHER	1			
4	GEAR	1	5002004	5002004	5002004
5	SNAP RING	1			
6	BEARING 6006	1			
7	BOLT M6X50L	3	91110650	91110650	91110650
8	COVER	1	5002008	5002008	5002008
9	BEARING 6206	1			
10	KEY 6X6X55L	1			
11	SHAFT	1	5002011	5002011	5002011
12	KEY 6X6X50L	1			
13	GEAR	1	5002013	5002013	5002013
14	GEAR	1	5002014	5002014	5002014
15	SNAP RING	1			
16	BEARING 6203	1	91301016	91301016	91301016
17	GEAR	1	5002017	5002017	5002017
18	BEARING 6205	1			
19	KEY 6X6X20L	1			
20	SHAFT	1	5002020	5002020	5002020
21	KEY 6X6X50L	1			
22	KEY 6X6X20L	1			
23	BEARING 6005	1	91301010	91301010	91301010
24	GEAR	1	5002024	5002024	5002024
25	SNAP RING	1			
26	GEAR	1	5002026	5002026	5002026
27	SNAP RING	1			
28	BEARING 6006	1			
29	CLUTEH	1	5002029	5002029	5002029
30	BEARING 6002	1			
31	GEAR	1	5002031	5002031	5002031
32	NUT	2			
33	WASHER	1			
34	BEARING 30206	1			
35	BEARING 30206	1			
36	COVER	1	5002036	5002036	5002036
37	BOLT M6X25L	1	91110625	91110625	91110625
38	SHAFT	1	5002038	5002038	5002038
39	BOLT M6X16L	3	91110616	91110616	91110616
40	COVER	1	5002040	5002040	5002040
41	BEARING 6204	1	91301018	91301018	91301018
42	GEAR	1	5002042	5002042	5002042
43	SNAP RING	1			
44	SHAFT	1	5002044	5002044	5002044
45	KEY 6X6X55L	1			
46	KEY 6X6X55L	1			
47	GEAR	1	5002047	5002047	5002047
48	BEARING 6204	1	91301018	91301018	91301018
49	BEARING 6204	3	91301018	91301018	91301018

**GEAR BOX ASSEMBLY**

ITEM NO.	Part Name	Amt. Used	Model: 33" Part No.	Model: 37" Part No.	Model: 41" Part No.
50	GEAR	1	5002050	5002050	5002050
51	GEAR	1	5002051	5002051	5002051
52	GEAR	1	5002052	5002052	5002052
53	GEAR	1	5002053	5002053	5002053
54	GEAR	1	5002054	5002054	5002054
55	GEAR	1	5002055	5002055	5002055
56	GEAR	1	5002056	5002056	5002056
57	GEAR	1	5002057	5002057	5002057
58	GEAR	1	5002058	5002058	5002058
59	GEAR	1	5002059	5002059	5002059
60	SHAFT	1	5002060	5002060	5002060
61	KEY 6X6X130L	1			
62	BEARING 6204	1	91301018	91301018	91301018
63	BEARING 6204	1	91301018	91301018	91301018
64	GEAR	1	5002064	5002064	5002064
65	GEAR	1	5002065	5002065	5002065
66	GEAR	1	5002066	5002066	5002066
67	KEY 6X6X70L	1			
68	SHAFT	1	5002068	5002068	5002068
69	BEARING 6204	1	91301018	91301018	91301018
70	COVER	1	5002070	5002070	5002070
71	BOLT M6X16L	3	91110616	91110616	91110616
72	BOLT M6X16L	3	91110616	91110616	91110616
73	COVER	1	5002073	5002073	5002073
74	BEARING 6204	1	91301018	91301018	91301018
75	SHAFT	1	5002075	5002075	5002075
76	KEY 6X6X20L	1			
77	GEAR	1	5002077	5002077	5002077
78	SNAP RING	1			
79	BEARING 6205	1			
80	WASHER	1	5002080	5002080	5002080
81	GEAR	1	5002081	5002081	5002081
82	GEAR BOD	1	5002082	5002082	5002082
83	BEARING 6205	1			
84	SNAP RING	1			
85	GEAR	1	5002085	5002085	5002085
86	BEARING 6002	1			
87	CLUTEH	1	5002087	5002087	5002087
88	BEARING 6006	1			
89	SNAP RING	1			
90	SNAP RING	1			
91	BEARING 6005	1	91301010	91301010	91301010
92	COVER	1	5002092	5002092	5002092
93	BOLT M6X16L	3	91110616	91110616	91110616
94	SHAFT	1	5002094	5002094	5002094

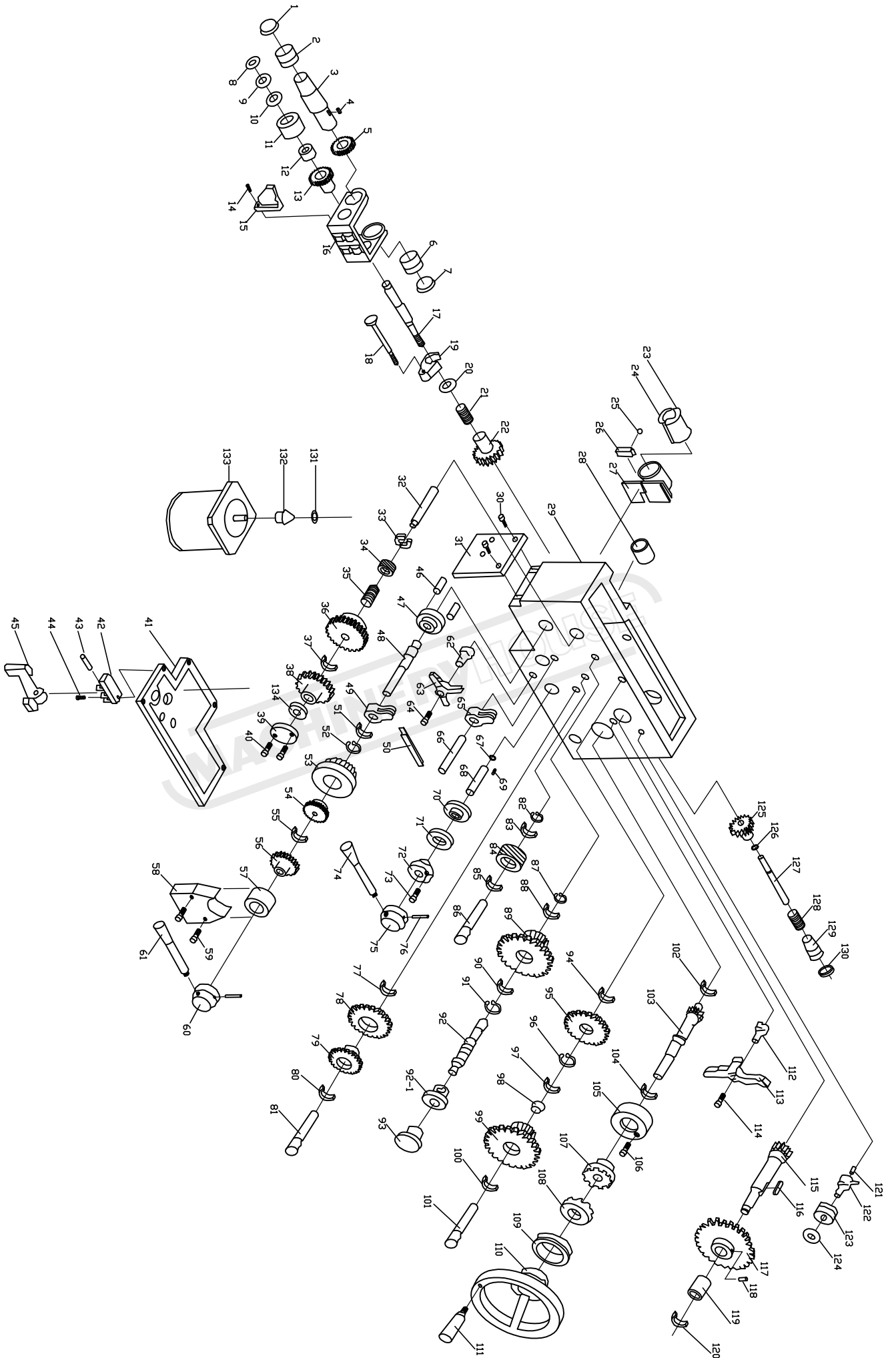




9-2-2 Gear Cover

**GEAR BOX ASSEMBLY**

ITEM NO.	Part Name	Amt. Used	Model: 33" Part No.	Model: 37" Part No.	Model: 41" Part No.
1	Claw-shifter	1	5002101	5002101	5002101
2	Claw-shifter	1	5002102	5002102	5002102
3	SHAFT	1	5002103	5002103	5002103
4	SHAFT	1	5002104	5002104	5002104
5	Claw-shifter	1	5002105	5002105	5002105
6	Claw-shifter	1	5002106	5002106	5002106
7	Claw-shifter	1	5002107	5002107	5002107
8	SNAP RING	1			
9	SHAFT	1	5002109	5002109	5002109
10	O-RING TC16267	1			
11	COVER	1	5002111	5002111	5002111
12	O-RING	1			
13	Claw-shifter	1	5002113	5002113	5002113
14	GEAR BOD	1	5002114	5002114	5002114
15	SHAFT	1	5002115	5002115	5002115
16	BEARING 6200	1			
17	GEAR	1	5002117	5002117	5002117
18	Claw-shifter	1	5002118	5002118	5002118
19	SHAFT	1	5002119	5002119	5002119
20	GEAR SHAFT	1	5002120	5002120	5002120
21	SLIDE PLATE	1	5002121	5002121	5002121
22	SETTING PLATE	1	5002122	5002122	5002122
23	COVER	1	5002123	5002123	5002123
24	BOLT	1			
25	Shifter	1	5002125	5002125	5002125
26	SAFT	5	5002126	5002126	5002126
27	Shifter	5	5002127	5002127	5002127
28	GEAR COVER	1	5002128	5002128	5002128
29	Shaft-shifter	5	5002129	5002129	5002129
30	HUB	5	5002130	5002130	5002130
31	Handle	5	5002131	5002131	5002131
32	Handle	1	5002132	5002132	5002132
33	Seat-gear shifting	1	5002133	5002133	5002133
34	BOLT M8X35L	3	91110835	91110835	91110835
35	CHANGE SPEED DISK	1	5002135	5002135	5002135



**APRON ASSEMBLY**

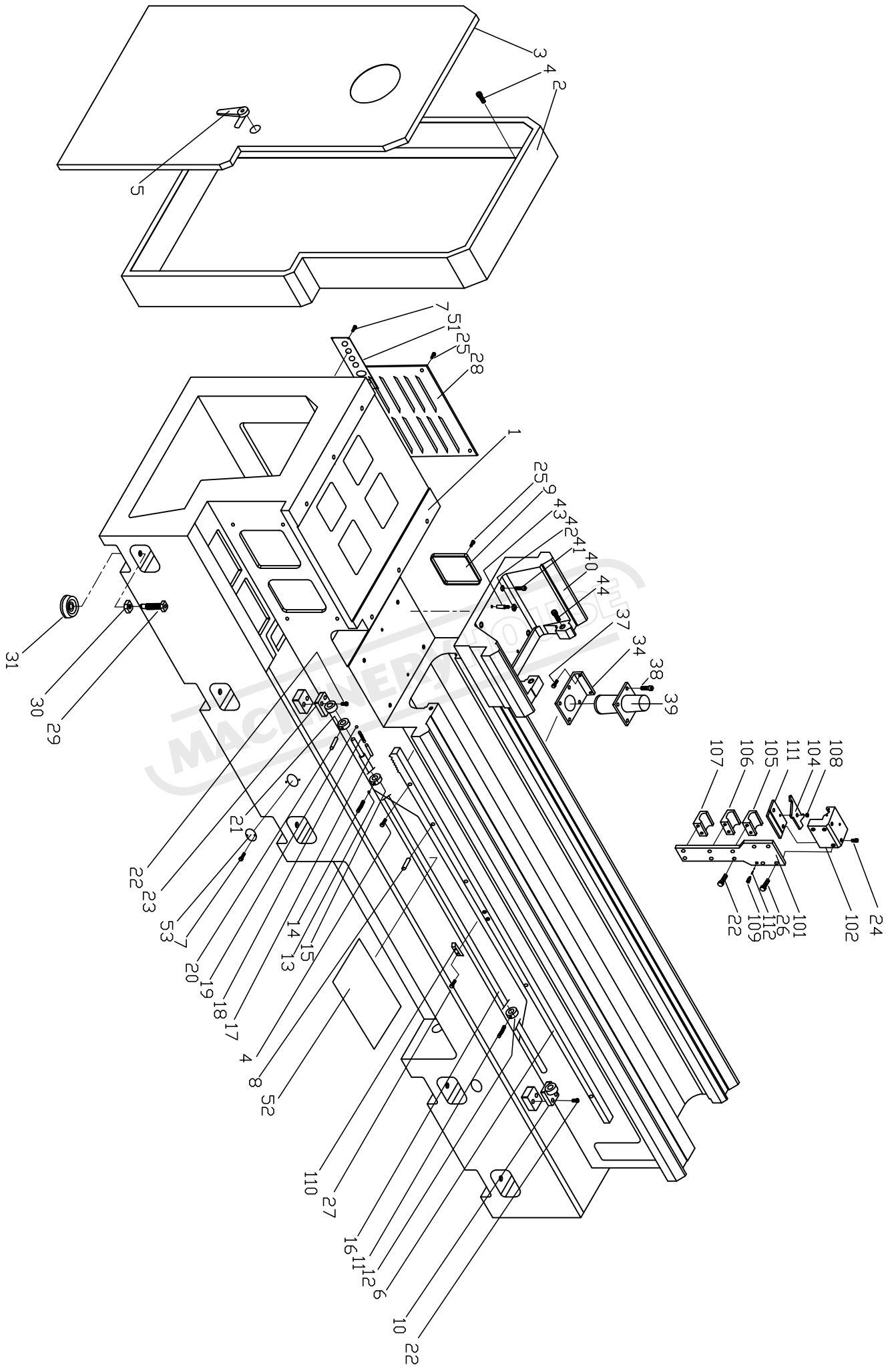
ITEM NO.	Part Name	Amt. Used	Model: 33" Part No.	Model: 37" Part No.	Model: 41" Part No.
1	OIL SEAL 40528	1			
2	BUSHING	1	5003002	5003002	5003002
3	SHAFT	1	5003003	5003003	5003003
4	KEY 6X6X20L	1			
5	GEAR	1	5003005	5003005	5003005
6	BUSHING	1	5003006	5003006	5003006
7	OIL SEAL 40528	1			
8	NUT AN03	1			
9	BEARING 51103	1			
10	BEARING 51103	1			
11	Worm gear	1	5003011	5003011	5003011
12	BUSHING	1	5003012	5003012	5003012
13	GEAR	1	5003013	5003013	5003013
14	SCREW M6X16L	2	91110616	91110616	91110616
15	RACK	1	5003015	5003015	5003015
16	Seat-worm	1	5003016	5003016	5003016
17	Shaft-worm	1	5003017	5003017	5003017
18	SHAFT	1	5003018	5003018	5003018
19	BRACKET	1	5003019	5003019	5003019
20	BEARING 51103	1			
21	SPRING	1	5003021	5003021	5003021
22	GEAR	1	5003022	5003022	5003022
23	Nut-half	1	5003023	5003023	5003023
24	Nut-half	1	5003024	5003024	5003024
25	SCREW M6X20L	2	91110620	91110620	91110620
26	REUULATOR	1	5003026	5003026	5003026
27	BRACKET	1	5003027	5003027	5003027
28	SLEEVE	1	5003028	5003028	5003028
29	APRON BOX	1	5003029	5003029	5003029
30	SCREW M6X16L	2	91110616	91110616	91110616
31	COVER	1	5003031	5003031	5003031
32	SHAFT	1	5003032	5003032	5003032
33	BEARING 51103	1			
34	GEAR	1	5003034	5003034	5003034
35	SPRING	1	5003035	5003035	5003035
36	GEAR	1	5003036	5003036	5003036
37	BEARING 6003	1			
38	GEAR	1	5003038	5003038	5003038
39	COVER	1	5003039	5003039	5003039
40	SCREW M6X16L	2	91110616	91110616	91110616
41	COVER	1	5003041	5003041	5003041
42	Seat-tappet	1	5003042	5003042	5003042
43	Shaft-tappet	1	5003043	5003043	5003043
44	SCREW M6X16L	2	91110616	91110616	91110616
45	Tappet	1	5003045	5003045	5003045
46	PIN	1			
47	SHAFT	1	5003047	5003047	5003047
48	SHAFT	1	5003048	5003048	5003048

### APRON ASSEMBLY

ITEM NO.	Part Name	Amt. Used	Model: 33" Part No.	Model: 37" Part No.	Model: 41" Part No.
49	BRACKET	1	5003049	5003049	5003049
50	SHAFT	1	5003050	5003050	5003050
51	BEARING 6003	1			
52	SNAP RING S40	1	9171S040	9171S040	9171S040
53	GEAR	1	5003053	5003053	5003053
54	GEAR	1	5003054	5003054	5003054
55	BEARING 6003	1			
56	GEAR	1	5003056	5003056	5003056
57	COVER	1	5003057	5003057	5003057
58	COVER	1	5003058	5003058	5003058
59	SCREW M6X35L	2	91110635	91110635	91110635
60	HUB	1	5003060	5003060	5003060
61	HANDLE	1			
62	SHAFT	1	5003062	5003062	5003062
63	BRACKET	1	5003063	5003063	5003063
64	SCREW M12X35L	1	91111235	91111235	91111235
65	BRACKET	1	5003065	5003065	5003065
66	SHAFT	1	5003066	5003066	5003066
67	SNAP RING S16	1	9171S016	9171S016	9171S016
68	SHAFT	1	5003068	5003068	5003068
69	KEY 5X5X10L	1			
70	LEVER	1	5003070	5003070	5003070
71	LEVER	1	5003071	5003071	5003071
72	COVER	1	5003072	5003072	5003072
73	SCREW M6X16L	3	91110616	91110616	91110616
74	HANDLE	1	5003074	5003074	5003074
75	HUB	1	5003075	5003075	5003075
76	PIN	1	5003076	5003076	5003076
77	BEARING 6203	1			
78	GEAR	1	5003078	5003078	5003078
79	GEAR	1	5003079	5003079	5003079
80	BEARING 6203	1			
81	SHAFT	1	5003081	5003081	5003081
82	SNAP RING S17	1	9171S017	9171S017	9171S017
83	BEARING 6003	1			
84	GEAR	1	5003084	5003084	5003084
85	BEARING 6203	1			
86	SHAFT	1	5003086	5003086	5003086
87	SNAP RING	1			
88	BEARING 6003	1			
89	GEAR	1	5003089	5003089	5003089
90	BEARING 6003	1			
91	SNAP RING S20	1	9171S020	9171S020	9171S020
92	SHAFT	1	5003092	5003092	5003092
93	HANDLE	1	5003093	5003093	5003093
94	BEARING 6003	1			
95	GEAR	1	5003095	5003095	5003095
96	SNAP RING R35	1	9171R035	9171R035	9171R035

**APRON ASSEMBLY**

ITEM NO.	Part Name	Amt. Used	Model: 33" Part No.	Model: 37" Part No.	Model: 41" Part No.
97	BEARING 6003	1			
98	WASHER	1	5003098	5003098	5003098
99	GEAR	1	5003099	5003099	5003099
100	BEARING 6003	1			
101	SHAFT	1	5003101	5003101	5003101
102	BEARING 6203	1			
103	GEAR SHAFT	1	5003103	5003103	5003103
104	BEARING 6005	1			
105	COVER	1	50031105	50031105	50031105
106	SCREW M6X16L	3	91110616	91110616	91110616
107	Coupling	1	5003107	5003107	5003107
108	Coupling	1	5003108	5003108	5003108
109	Dial-rack	1	5003109	5003109	5003109
110	HAND WHEEL	1	5003110	5003110	5003110
111	HANDLE	1	5003111	5003111	5003111
112	SHAFT	1	5003112	5003112	5003112
113	BEACKET	1	5003113	5003113	5003113
114	SCREW M12X30L	1	91111230	91111230	91111230
115	GEAR SHAFT	1	5003115	5003115	5003115
116	KEY 8X8X30L	1			
117	GEAR	1	5003117	5003117	5003117
118	SCREW M16X12L	1	91111612	91111612	91111612
119	BUSHING	1	5003119	5003119	5003119
120	BEARING 6203	1			
121	PIN	1			
122	SHAFT	1	5003122	5003122	5003122
123	HANDLE	1	5003123	5003123	5003123
124	COVER	1	5003124	5003124	5003124
125	GEAR	1	5003125	5003125	5003125
126	SNAP GING S12	1	9171S012	9171S012	9171S012
127	SHAFT	1	5003127	5003127	5003127
128	SPRING	1	5003128	5003128	5003128
129	SHAFT	1	5003129	5003129	5003129
130	OIL SEAL 13246	1			
131	CONVEX TOP PLATE	1	5003131	5003131	5003131
132	GEAR	1	5003132	5003132	5003132
133	MOTOR	1			



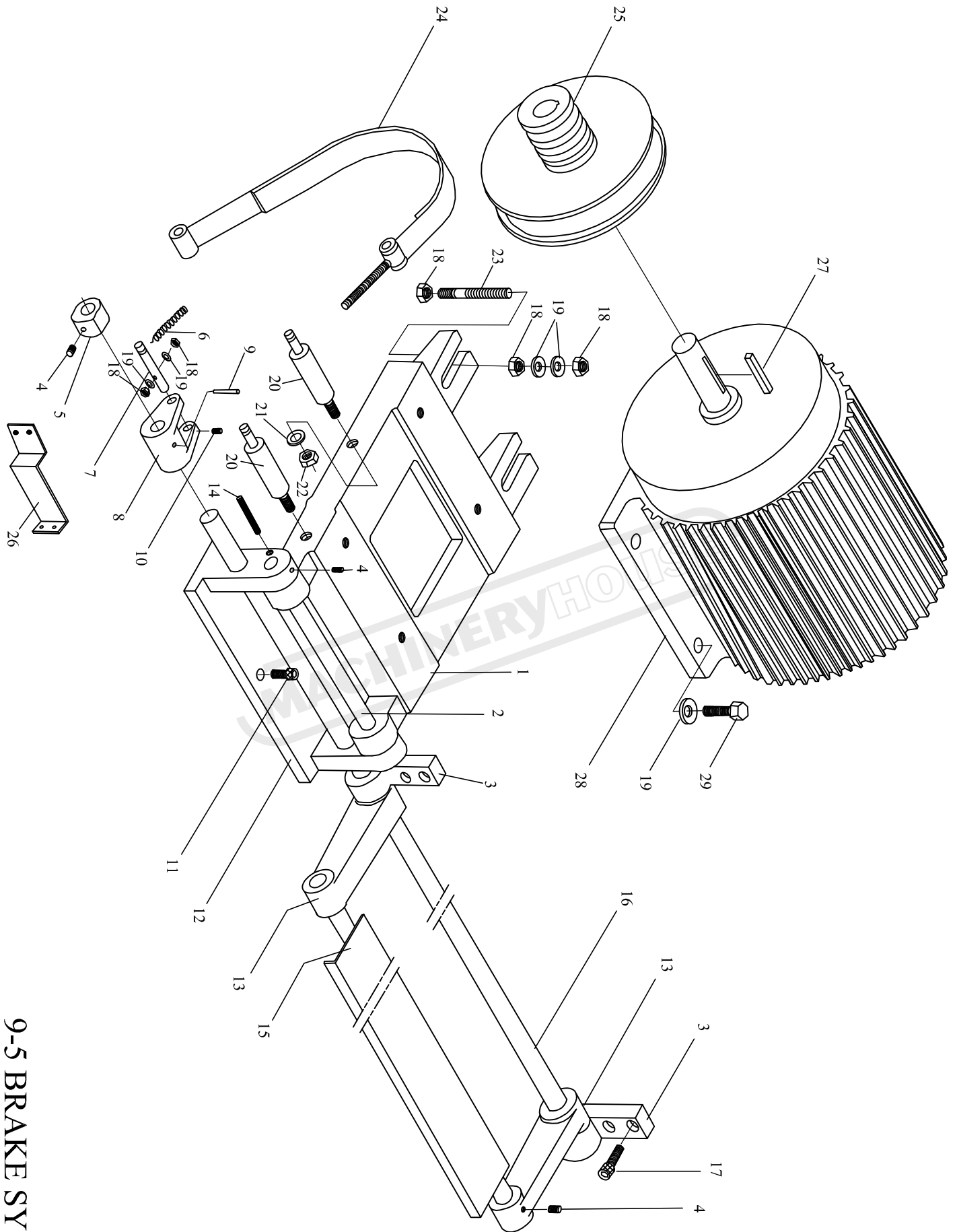
**BED AND BASE ASSEMBLY**

ITEM NO.	Part Name	Amt. Used	Model: 33" Part No.	Model: 37" Part No.	Model: 41" Part No.
1	Bed & Base	1			
	(8 feet )		5004001-008	5004001-008	5004001-008
	(10 feet )		5004001-010	5004001-010	5004001-010
	(15 feet )		5004001-015	5004001-015	5004001-015
2	Cover	1	5004002-033	5004002-037	5004002-041
3	Cover-end	1	5004003-033	5004003-037	5004003-041
4	Hexagon socket screw, M6xP1.0x25L	8	91110625	91110625	91110625
5	Handle	1			
6	Rack (8 feet)	1	5004006-008	5004006-008	5004006-008
	(10 feet)	1	5004006-010	5004006-010	5004006-010
	(15 feet)	1	5004006-015	5004006-015	5004006-015
7	Hexagon socket screw, M5xP0.8x15L	10	91110515	91110515	91110515
8	Pin-taper,6x35 (8 feet)	2			
	(10 feet)	5			
	(15 feet)	5			
9	Cover-coolant motor seat (with socket hole)	1	3004035	3004035	3004035
	motor seat (without socket hole)	1	3004035-001	3004035-001	3004035-001
10	Supporter-shaft	1	3004010	3004010	3004010
11	Set screw, M6xP1.0x10L	2	91120610	91120610	91120610
12	Collar	1	3004012	3004012	3004012
13	Shoe-brass	4	3004013	3004013	3004013
14	Set screw, M6xP1.0x6L	1	91120606	91120606	91120606
15	Cam-auto feed stopping	4	3004015	3004015	3004015
16	Shaft-auto stopping (8 feet)	1	5004016-008	5004016-008	5004016-008
	(10 feet)	1	5004016-010	5004016-010	5004016-010
	(15 feet)	1	5004016-015	5004016-015	5004016-015
17	Set screw, M8xP1.25x8L	1	91120808	91120808	91120808
18	Spring , 1x6x10L	1	4004018	4004018	4004018
19	Ball steel , 1/4"	1	91820104	91820104	91820104
20	Lever-turning shaft	4	3004020	3004020	3004020
21	Collar	1	3004021	3004021	3004021
22	Hexagon socket screw, M8xP1.25x16L	14	91110816	91110816	91110816
23	Supporter-shaft	1	3004023	3004023	3004023
24	Hexagon socket screw, M10xP1.25x80L	2	91111080	91111080	91111080
25	Head, M6xP1.0x20L	4			
26	Hexagon socket screw, M8xP1.25x20L	4	91110820	91110820	91110820
28	Cover-motor seat	2	3504028	3504028	3504028



**BED AND BASE ASSEMBLY**

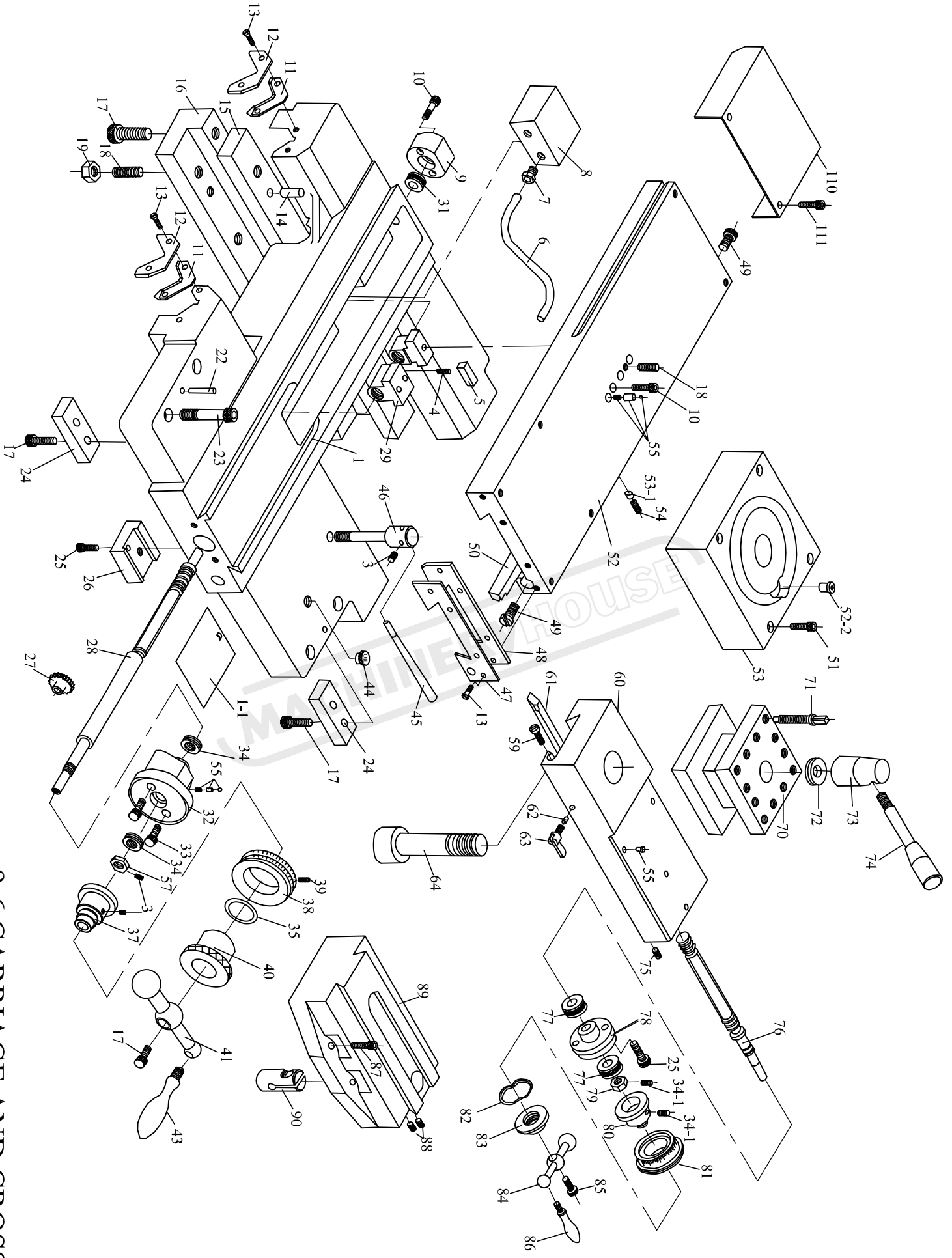
ITEM NO.	Part Name	Amt. Used	Model: 33" Part No.	Model: 37" Part No.	Model: 41" Part No.
29	Bolt-set machine	5	3004029	3004029	3004029
30	Nut-lock	5	3004030	3004030	3004030
31	Block-leveling	5	3004031	3004031	3004031
34	Seat-coolant pump	1	5004034	5004034	5004034
37	Bolt-hexa. head , M8x38L	2			
40	gap	1	5004040	5004040	5004040
41	Hexagon socket screw, M12xP1.0x25L	4	91111225	91111225	91111225
42	Nut-lock , M6	2			
43	Pin $\phi$ 7x40L	2			
44	Hexagon socket screw, M10xP1.25x35L	2	91111035	91111035	91111035
51	Connect board	1	5004051	5004051	5004051
52	Tank cover	1	5004052	5004052	5004052
53	Cover	4	5004053	5004053	5004053
101	Bracket	1	5004101	5004101	5004101
102	Slide plate	1	5004102	5004102	5004102
104	bracket	1	5004104	5004104	5004104
105	supporter-upside	1	5004105	5004105	5004105
106	supporter-middle	1	5004106	5004106	5004106
107	supporter-	1	5004107	5004107	5004107
108	screw	1	5004108	5004108	5004108
109	bolt-set	1	5004109	5004109	5004109
110	block	1	5004110	5004110	5004110
111	steady block	1	5004111	5004111	5004111
112	spring	1	5004112	5004112	5004112



9-5 BRAKE SYSTEM

**BRAKE SYSTEM**

ITEM NO.	Part Name	Amt. Used	Model: 33" Part No.	Model: 37" Part No.	Model: 41" Part No.
1	Seat-motor	1	5005001	5005001	5005001
2	Shaft-motor seat	1	4005002	4005002	4005002
3	Block	2	4005003	4005003	4005003
4	Set screw, M6xP1.0x12L	1	91120612	91120612	91120612
5	Cam	1	3005005-020	3005005-022	3005005-026
6	Spring	1	4005006	4005006	4005006
7	Shaft-brake belt	1	3005007	3005007	3005007
8	Arm-brake	1	5005008	5005008	5005008
9	Pin-taper , 4x38L	1			
10	Set screw, M6xP1.0x10L	1	91120610	91120610	91120610
11	Hexagon socket screw, M10xP1.5x30L	3	91111030	91111030	91111030
12	Bracket-motor seat	1	5005012	5005012	5005012
13	Bracket-pedal	2	3005013	3005013	3005013
14		1			
15	Pedal-brake (8 feet)	1	3005015-008	3005015-008	3005015-008
	(10 feet)	1	3005015-010	3005015-010	3005015-010
	(15 feet)	1	3005015-015	3005015-015	3005015-015
16	Shaft-pedal bracket				
	(8 feet)	1	5005016-008	5005016-008	5005016-008
	(10 feet)	1	5006016-010	5006016-010	5006016-010
	(15 feet)	1	5006016-015	5006016-015	5006016-015
17	Hexagon socket screw, M8xP1.25x25L	4	91110825	91110825	91110825
18	Nut , M16	8			
19	Washer , M16	6			
20	Bolt-adjusting	2	5005020	5005020	5005020
21	Washer , M12	1			
22	Nut , M12	1			
23	Bolt-adjusting	1	4005023	4005023	4005023
24	Belt-brake	1	5005024	5005024	5005024
25	Belt pulley	1			
	(20HP/60HZ)	1	5005025	5005025	5005025
	(25HP/30HP/50HZ)	1	5005025-001	5005025-001	5005025-001
	(20HP/50HZ)	1	5005025-002	5005025-002	5005025-002
	(25HP/30hp/60HZ)	1	5005025-003	5005025-003	5005025-003
26	Bracket	1	5005026	5005026	5005026
27	Key ,12x12x55L	1			
	Key ,14x14x55L				
28	Motor	1			
29	Bolt-hexa. Head, M10x30L	4	91111030	91111030	91111030



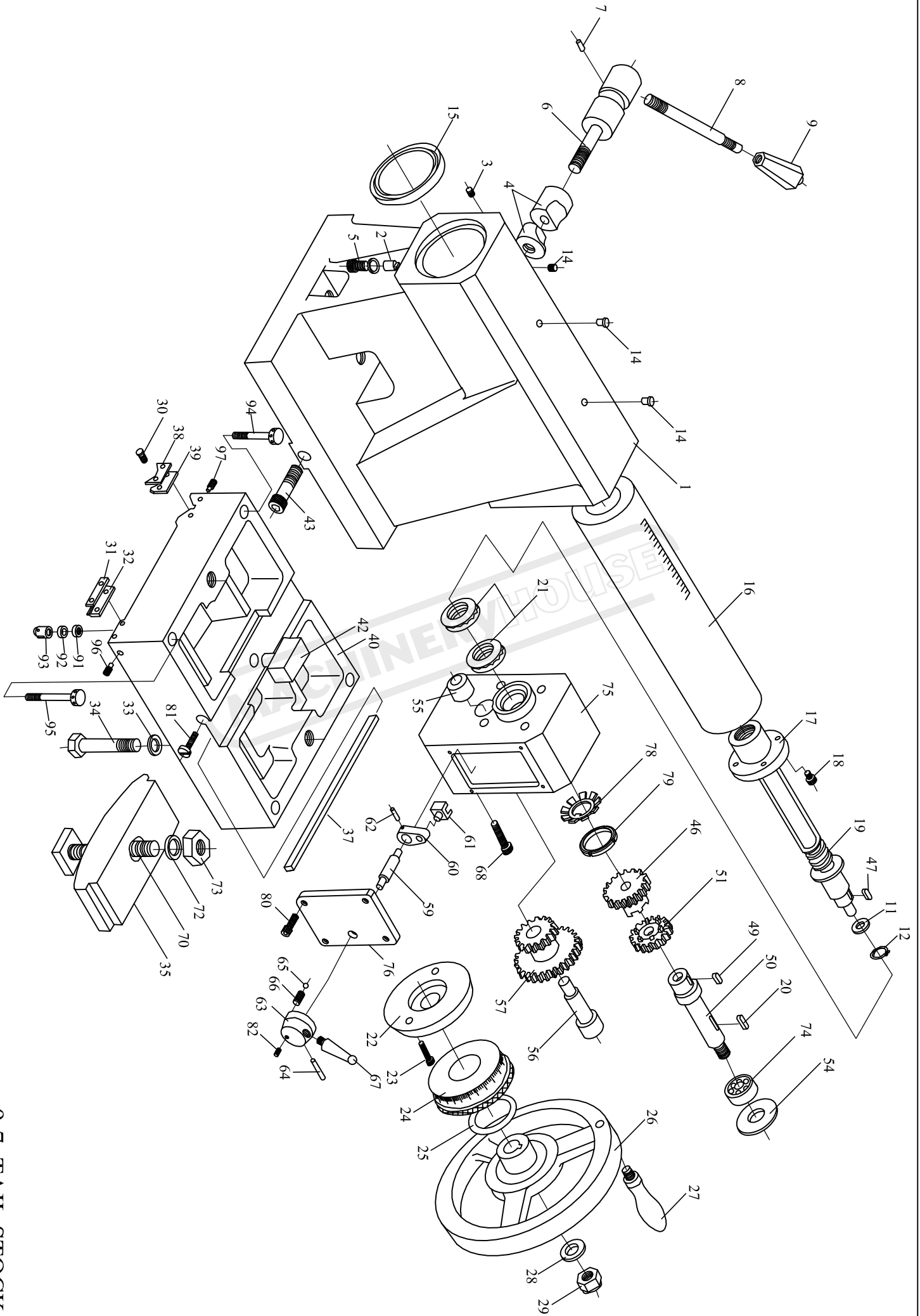
9-6 CARRIAGE AND CROSSFEED

**CARRIAGE AND CROSSFEED ASSEMBLY**

ITEM NO.	Part Name	Amt. Used	Model: 33" Part No.	Model: 37" Part No.	Model: 41" Part No.
1	Carriage	1	5006001	5006001	5006001
1-1	cover	1	5006001-001	5006001-001	5006001-001
2	Nut-crossfeed	1	5006002	5006002	5006002
3	Set screw , M6xP1.0x6.0L	5	91120606	91120606	91120606
4	Spring , 1x5x25L	1	4006004	4006004	4006004
5	Shim-crossfeed nut	1	3006005	3006005	3006005
6	Pipe-lubrication oil	1			
7	Nut-copper	1			
8	Conveyor-oil	1	3006008	3006008	3006008
9	Cap-crossfeed screw	1	5006009	5006009	5006009
10	Hexagon socket screw, M6xP1.0x25L	5	91110625	91110625	91110625
11	Wiper-rear	4	5006011	5006011	5006011
12	Case-wiper , rear	4	5006012	5006012	5006012
13	Screw-cross-recessed, M4xP0.7x10L	12			
14	Pin	2			
15	Gib	1	5006015	5006015	5006015
16	Holder-gib	1	5006016	5006016	5006016
17	Hexagon socket screw, M8xP1.25x20L	8	91110820	91110820	91110820
18	Set screw, M8xP1.25x25L	5	91120825	91120825	91120825
19	Nut , M8xP1.25	5			
22	Pin-taper , 6 # 75L	2	4006022	4006022	4006022
23	Hexagon socket screw, M10xP1.5x70L	4	91111070	91111070	91111070
24	Gib-left-front	2	5006024	5006024	5006024
25	Hexagon socket screw , M6xP1.0x16L	3	91110616	91110616	91110616
26	Clamp-carriage	1	5006026	5006026	5006026
27	Gear	1	5006027	5006027	5006027
28	Screw-crossfeed (5M/M , mm)		5006028	5006028	5006028
29	Nut M25xp5.0	1	5006029	5006029	5006029
31	Bearing thrust, 51101	2	91303001	91303001	91303001
32	Bracket	1	5006032	5006032	5006032
33	Bolt-hexa. Socket , M8xP1.25x40L	2	91110840	91110840	91110840
34	Bearing thrust, 51104	2	91303003	91303003	91303003
34-1	Set screw,	2			
35	Washer-wave type , 6210	1			
37	Clutch-dial	1	5006037	5006037	5006037
38	Dial-crossfeed (10M/M , left)	1	5006038	5006038	5006038
39	Set screw ,M6xP1.0x15L	2	91120615	91120615	91120615
40	Nut M35	1	5006040	5006040	5006040
41	Handle	1	5006041	5006041	5006041
43	Knob-handle	1	5006043	5006043	5006043
43-1	Screw-handle	1	3006043-001	3006043-001	3006043-001
43-2	Knob-handle	1	3006043-002	3006043-002	3006043-002
44	Plug-oil inlet	1	3006044	3006044	3006044

**CARRIAGE AND CROSSFEED ASSEMBLY**

ITEM NO.	Part Name	Amt. Used	Model: 33" Part No.	Model: 37" Part No.	Model: 41" Part No.
45	Lever	1	3006045	3006045	3006045
46	Screw-carriage clamp	1	3006046	4006046	4006046
47	Case-wiper	1	5006047	5006047	5006047
48	Wiper	1	5006048	5006048	5006048
49	Screw-adjusting	2	4006049	4006049	4006049
50	Gib	1	5006050	5006050	5006050
51	Bolt-hexa. Socket , M10xP1.5x40L	4	91111040	91111040	91111040
52	Cover-cross sliding	1	5006052	5006052	5006052
52-2	Plug	4	5006052-002	5006052-002	5006052-002
53	Bracket -cross slideing	1	5006053-001	5006053-002	5006053-003
53-1	Shoe-clamp	1	3006053	3006053	3006053
54	Set screw, M8xP1.25x20L	1	91120820	91120820	91120820
55	Ball-steel , 1/4"	4			
56	Square key , 5x5x15L	1	91610501	91610501	91610501
57	Shoe-Nut	1	3006057	3006057	3006057
59	Screw-gib	2	5006059	5006059	5006059
60	Compound rest	1	5006060	5006060	5006060
61	Gib-compound rest	1	5006061	5006061	5006061
62	Shoe-clamp	1	5006062	5006062	5006062
63	Screw-clamp	1			
64	Shaft-tool post	1	5006064	5006064	5006064
70	Tool post-square	1	5006070	5006070	5006070
71	Screw-square head	1	5006071	5006071	5006071
72	Bearing-thrust	1			
73	Knob-lever	1	5006073	5006073	5006073
74	Lever	1	5006074	5006074	5006074
75	Screw-gib, M8xP1.25x30L	1	5006075	5006075	5006075
76	Screw compound rest	1	5006076	5006076	5006076
77	Bearing thrust, 51102	2			
78	Seat-compound rest screw	1			
79	Nut	1			
80	Collar	1	5006080	5006080	5006080
81	Dial-compound rest	1	5006081	5006081	5006081
82	Washer-wave type	1			
83	Nut	1			
84	Handle	1	5006084	5006084	5006084
85	Hexagon socket screw, M6xP1.0x16L	1	91110616	91110616	91110616
86	Knob-handle	1	5006086	5006086	5006086
87	Hexagon socket screw, M12xP1.75x15L	4	91111215	91111215	91111215
88	Set screw, M8xP1.25x8L	2	91120808	91120808	91120808
89	Swivel	1			
90	Nut-compound rest screw	1	5006090	5006090	5006090
110	Dust proof cover	1	5006110	5006110	5006110
111	Hexagon socket screw, M5xP0.8x12L	2	91110512	91110512	91110512



9-7 TAIL STOCK

**TAILSTOCK ASSEMBLY**

ITEM NO.	Part Name	Amt. Used	Model: 33" Part No.	Model: 37" Part No.	Model: 41" Part No.
1	Body-tailstock	1	5007001	5007001	5007001
2	Set key	1	5007002	5007002	5007002
3	Set screw, M6xP1.0x12L	1	91120612	91120612	91120612
4	Block-clamp	1	5007004	5007004	5007004
5	Hexagon socket screw, M8xP1.25x10L	1	91110810	91110810	91110810
6	Shaft-clamp spindle	1	5007006	5007006	5007006
7	Pin , 5x12	1			
8	Lever	1	3007008	3007008	3007008
9	Sleeve-lever	1	3007009	3007009	3007009
11	Washer	1	3507300	3507300	3507300
12	Snap ring S18	1	9171S018	9171S018	9171S018
14	Plug-oil , 1/4"	3			
15	Seal-oil , TC120X150X14	1			
16	Spindle-tang slot	1	5007016	5007016	5007016
17	Cap-spindle	1	5007017	5007017	5007017
18	Hexagon socket screw, M8xP1.25x16L	4	91110816	91110816	91110816
19	Screw-spindle feed (mm)	1	5007019	5007019	5007019
20	Key-square , 6x6x25	1	91610606	91610606	91610606
21	Bearing-thrust, 51205	2	91303006	91303006	91303006
22	Indicator	1	4007022	4007022	4007022
23	Hexagon socket screw, M5xP0.8x15L	2	91110515	91110515	91110515
24	Dial-feed	1	3507024-M01	3507024-M01	3507024-M01
25	Washer-wave type, WW-46	1			
26	Handwheel	1	3507026	3507026	3507026
27	Knob	1	3007027	3007027	3007027
28	Washer , W1/2"	1			
29	Nut , 1/2"-20UNF	1			
30	Screw-cross-recessed, M4xP0.7x10L	8			
31	Case-wiper	2	5007031	5007031	5007031
32	Wiper	2	5007032	5007032	5007032
33	Washer-flat , M12	2			
34	Bolt-clamp, M12xP1.75X75L	2	91111275	91111275	91111275
35	Clamp	2	5007035	5007035	5007035
36	Nut	1			
37	Strip	1	3507037	4007037	4007037
38	Case	2	5007038	5007038	5007038
39	Wiper	2	5007039	5007039	5007039
40	Bottom-tailstock	1	5007040-033	5007040-037	5007040-041
42	Blcok-adjusting	1	5007042	5007042	5007042
43	Hexagon socket screw, M10xP1.5x80L	2	91111080	91111080	91111080
46	Clutch shaft	1	4007046	4007046	4007046



**TAILSTOCK ASSEMBLY**

ITEM NO.	Part Name	Amt. Used	Model: 33" Part No.	Model: 37" Part No.	Model: 41" Part No.
47	Square key , 5x5x10L	1			
49	Square key , 5x5x25L	1			
50	Clutch shaft	1	5007050	5007050	5007050
51	Gear	1	4007051	4007051	4007051
54	Washer	1	5007054	5007054	5007054
55	Spacer	1	5007055	5007055	5007055
56	Idle shaft	1	5007056	5007056	5007056
57	Gear	1	4007057	4007057	4007057
59	Shaft	1	5007059	5007059	5007059
60	Shifting lever	1	4007060	4007060	4007060
61	Shifting fork	1	4007061	4007061	4007061
62	Spring pin , $\phi$ 4x25L	1			
63	Knob	1	3507063	3507063	3507063
64	Spring pin , $\phi$ 5x38L	1			
65	Ball steel , $\phi$ 1/4"	1	91820104	91820104	91820104
66	Spring , D6xd1x20L	1			
67	Lever	1	3007067	3007067	3007067
68	Hexagon socket screw, M8xP1.25x125L	4	911108125	911108125	911108125
70	Bolt clamp	2	4007070	4007070	4007070
72	Washer , W3/4	2			
73	Nut , W3/4-10NC	2			
74	Ball bearing , 6204	1			
75	Shifting box	1	5007075	5007075	5007075
76	Shifting cover	1	5007076	5007076	5007076
78	Wash W25	1			
79	Nut M25	1			
80	Hexagon socket screw, M5xP0.8x10L	4	91110510	91110510	91110510
81	Screw	1	3007081	3007081	3007081
82	Screw M8xP1.25X10L	1			
91	Set screw	4	4007091	4007091	4007091
92	stoper	4	4007092	4007092	4007092
93	turning nut	4	4007093	4007093	4007093
94	set bolt	2	5007094-033	5007094-037	5007094-041
95	set bolt	2	5007095-033	5007095-037	5007095-041
96	set bolt	2	5007096	5007096	5007096
97	set bolt	2	5007097	5007097	5007097